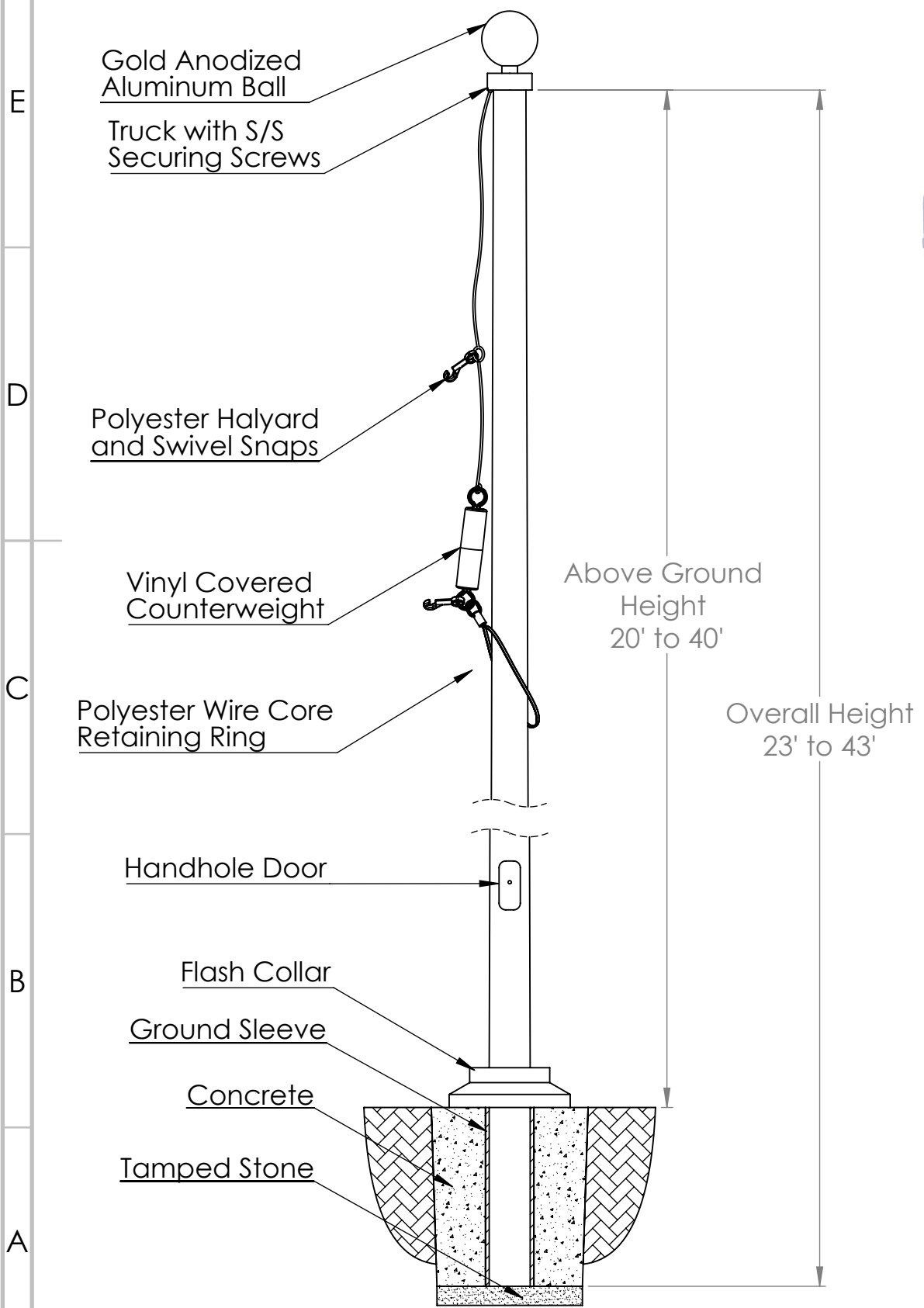
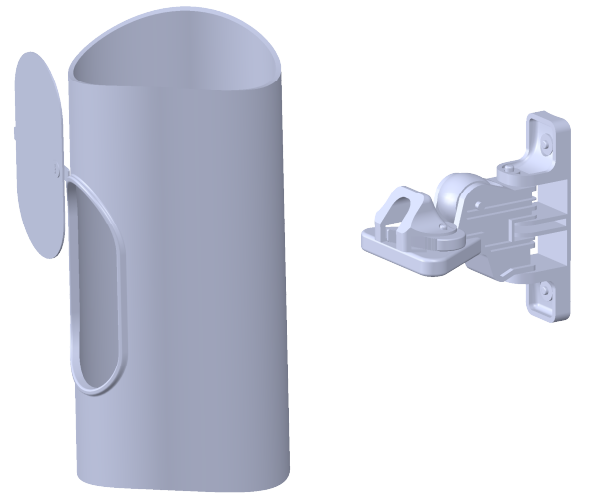


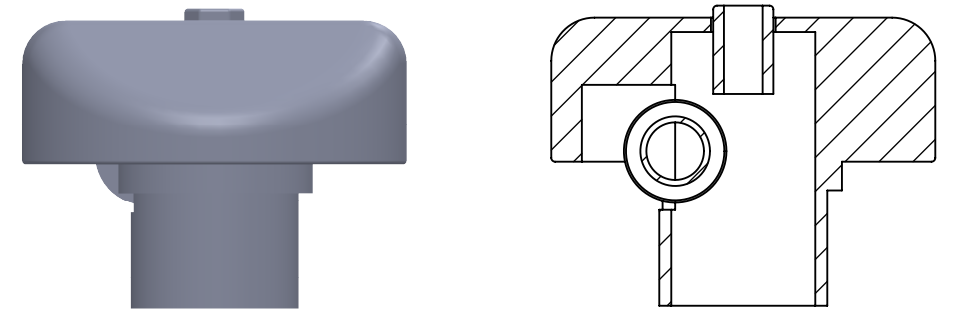
# Aeolus Series Internal Ground Set 20I-40I



Internal Cam Cleat and Hand Hole Door



Fiberglass Internal Stationary Truck



## Specifications and Accessories

Model	20I	25I	30I	35I	40I
Above Ground Height	20'	25'	30'	35'	39'
Overall Height	23'	28'	33'	39'	43'
Butt Diameter	5.75"	6"	6.75"	7"	7"
Top Diameter	3"	3"	3"	3"	3"
Pole Weight (lbs)	36	59	77	115	137
Shipping Weight (lbs)	105	113	151	197	219
Ground Sleeve I.D.	8"	8"	8"	8"	8"
Ground Sleeve Length	3'	3'	3'	4'	4'
Ball Diameter	6"	6"	6"	8"	8"
Halyard	#10	#10	#10	#10	#10
Flash Collar	16"	16"	16"	16"	16"
Truck	F/G	F/G	F/G	F/G	F/G
Snaps	Brass	Brass	Brass	Brass	Brass
Standard Flag Size	4'X6'	4'X6'	5'X8'	5'X8'	6'X10'

## Specifications

Provide a Fiberglass Reinforced Composite (FRC) Ground set flagpole Model # **35I** as manufactured by PLP Composites, Fitzwilliam, NH 03447.

The flagpole shall have a mounting height of 35' and 4' below grade for an overall length of 39'.

The butt diameter shall be 7" and the top diameter 3". The pole weight shall be approximately 115 lbs. and a total shipping weight of 197 lbs.

The flagpole shall be manufactured of fiberglass woven roving and polyester resin with 75% of the reinforcing fibers oriented in the axial plane for maximum stiffness and 25% in the radial plane for required hoop strength. Load calculations shall be based on AASHTO and NAAMM standards with the pole designed with a two to one (2:1) safety factor for 125 mph winds, unflagged, with a 1.3 gust factor.

The flagpole shall have an Entasis taper and shall be void of vertical mold seams.

The flagpole shall be sanded smooth and coated with a high gloss Aliphatic Polyurea coating system which provides extended UV protection and weatherability.

Internal pole is equipped with a cam cleat, door with security screw, tab, & lock nut at the time of internalizing, prior to shipment.

**Standard colors include:** White, Black, Bronze, Faux-Luminum, and Metallic Bronze



Aeolus Series - Model #35I	Standard Fittings:		Project:
35' Above Grade Height	8" Gold Anodized Ball	70' of #10 Polyester Halyard	
39' Overall Height	Cast FG Stationary Truck	16" Flash Collar	Location:
Top Diameter - 3"	1 pair of Brass Snaps	Small Retaining Ring	
Butt Diameter - 7"	1 pair of vinyl covers	Small Counterweight	Date:
	Security Driver	4' x 8" Ground Sleeve	

PLP Composites

57 Creamery Road - PO Box 429, Fitzwilliam, NH 03447 - Phone: 800-262-6075 - [www.plpcomp.com](http://www.plpcomp.com) or [www.zeusflagpoles.com](http://www.zeusflagpoles.com) - [info@plpcomp.com](mailto:info@plpcomp.com)