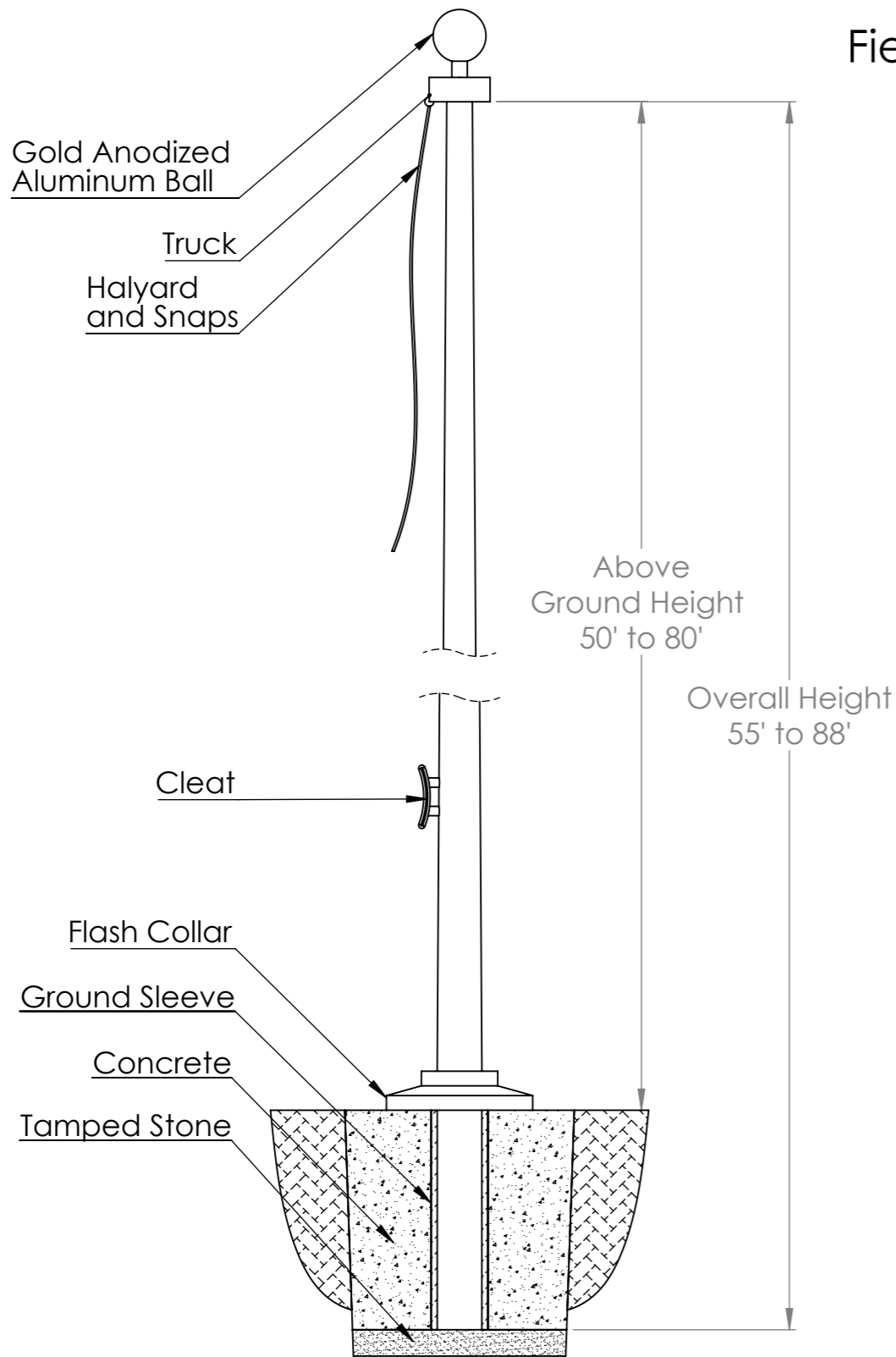
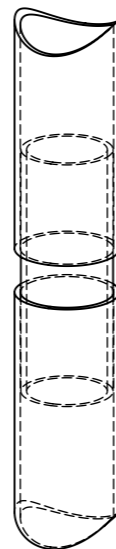


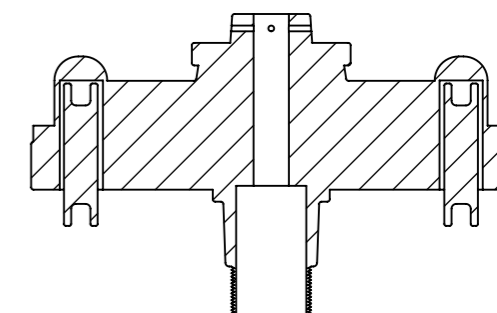
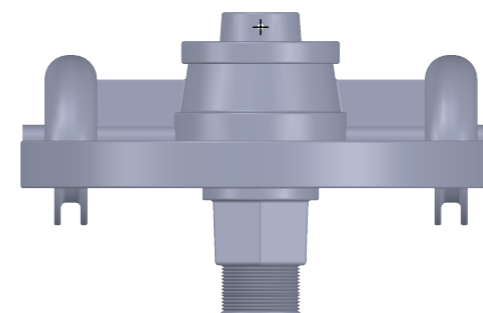
Aeolus Series External Ground Set 50X - 80X



Field Splice Detail
(not to scale)



Aluminum Revolving
External Truck



Specifications and Accessories

Model	50X	60X	70X	80X
Above Ground Height	50'	60'	70'	80'
Overall Height	55'	66'	77'	88'
Butt Diameter	10"	10.5"	16"	16.5"
Top Diameter	4.5"	4.5"	7"	7"
Pole Weight (lbs)	325	480	807	1108
Shipping Weight (lbs)	559	783	1336	1648
Ground Sleeve I.D.	14"	14"	21"	21"
Ground Sleeve Length	5'	6'	7'	8'
Cleat	10" AL	10" AL	10" AL	10" AL
Ball Diameter	10"	10"	12"	12"
Halyard	#12	#12	#12	#12
Flash Collar	23"	23"	30"	30"
Truck	AL-Rev	AL-Rev	AL-Rev	AL-Rev
Snaps	S/S	S/S	S/S	S/S
Standard Flag Size	8'X12'	10'X15'	12'X18'	12'X18'

Specifications

Provide a Fiberglass Reinforced Composite (FRC) Ground set flagpole Model # **50X** as manufactured by PLP Composites, Fitzwilliam, NH 03447.

The flagpole shall have a mounting height of 50' and 5' below grade for an overall length of 55'.

The butt diameter shall be 10" and the top diameter 4.5". The pole weight shall be approximately 325 lbs. and a total shipping weight of 559 lbs.

The flagpole shall be manufactured of fiberglass woven roving and polyester resin with 75% of the reinforcing fibers oriented in the axial plane for maximum stiffness and 25% in the radial plane for required hoop strength. Load calculations shall be based on AASHTO and NAAMM standards with the pole designed with a two to one (2:1) safety factor for 125 mph, unflagged windspeed, with a 1.3 gust factor.

The flagpole shall have an Entasis taper and shall be void of vertical mold seams.

The flagpole shall be sanded smooth and coated with a high gloss Aliphatic Polyurea coating system which provides extended UV protection and weatherability.

Standard colors include: White, Black, Bronze, Faux-Luminum, & Metallic Bronze



PLP Composites

57 Creamery Road - PO Box 429, Fitzwilliam, NH 03447 - Phone: 800-262-6075 - www.plpcomp.com or www.zeusflagpoles.com - info@plpcomp.com

Aeolus Series - Model #50X	Standard Fittings:		Project:
50' Above Grade Height	10" Gold Anodized Ball	100' of #12 Polyester Halyard	
55' Overall Height	Aluminum Revolving Truck	23" Flash Collar	Location:
Top Diameter - 4.5"	1 pair of S/S Snaps	8" Aluminum Cleat	
Butt Diameter - 10"	1 pair of vinyl covers	5'x14" Ground Sleeve	Date: