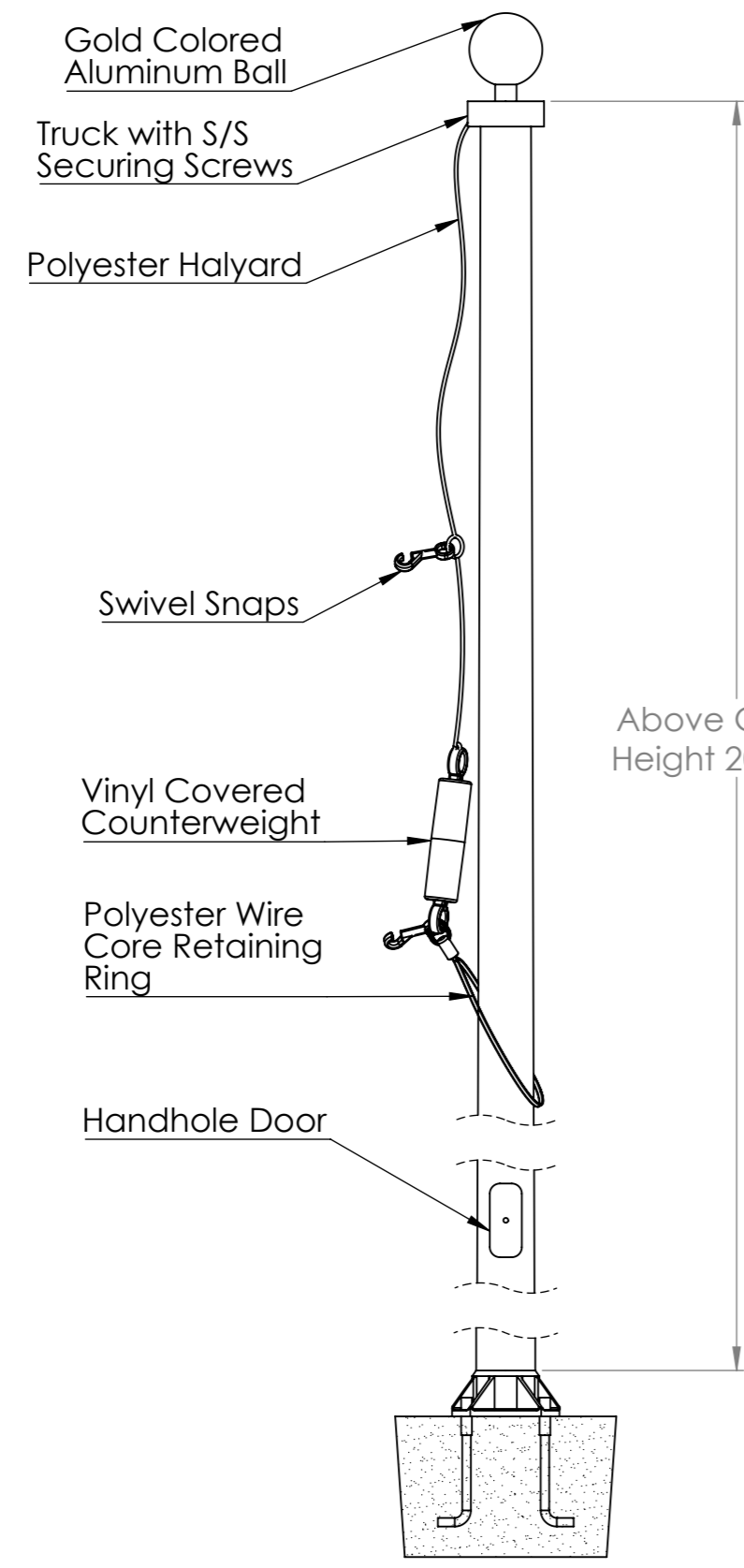
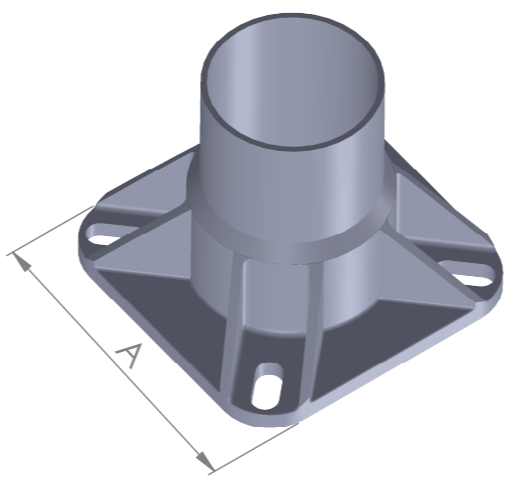


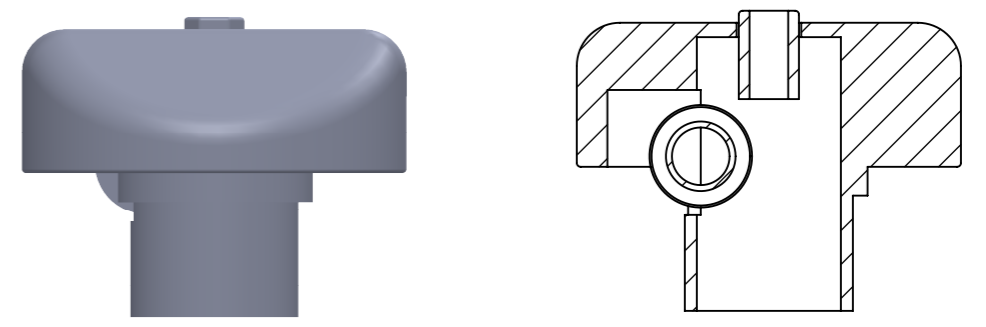
Aeolus Series Anchor Base External AB20I-AB35I



Anchor Base



Fiberglass Stationary
Internal Truck



Specifications and Accessories

Model	AB20I	AB25I	AB30I	AB35I
Above Ground Height	20'	25'	30'	35'
Butt Diameter	5.75"	6.5"	6.5"	7"
Top Diameter	3"	3"	3"	3"
Pole Weight with Base (lbs)	41	61	78	97
Shipping Weight with Base (lbs)	94	107	131	172
Cleat	8.5" NY	8.5" NY	8.5" NY	8.5" NY
Ball Diameter	6"	6"	6"	8"
Halyard	#10	#10	#10	#10
Truck	F/G	F/G	F/G	F/G
Snaps	Brass	Brass	Brass	Brass
Anchor Bolt Length (sold separate)	24"	24"	24"	24"
Bolt Diameter	3/4"	3/4"	3/4"	3/4"
Exposed Thread Projection	2.75"	2.75"	2.75"	2.75"
Bolt Circle	8"-9"	9"-11"	9"-11"	9"-11"
Base Width (A)	9" sq.	10.24" sq.	10.24" sq.	10.24" sq.
Standard Flag Size	4'X6'	4'X6'	5'X8'	5'X8'

Specifications

Provide a Fiberglass Reinforced Composite (FRC) Anchor Base flagpole Model # **AB 30I** as manufactured by PLP Composites, Fitzwilliam, NH 03447.

The flagpole shall have a mounting height of 30'.

The butt diameter shall be 6.75" and the top diameter 3". The pole weight shall be approximately 78 lbs. and a total shipping weight of 131 lbs.

The flagpole shall be manufactured of fiberglass woven roving and polyester resin with 75% of the reinforcing fibers oriented in the axial plane for maximum stiffness and 25% in the radial plane for required hoop strength. Load calculations shall be based on AASHTO and NAAMM standards with the pole designed with a two to one (2:1) safety factor for 125 mph winds, unflagged, with a 1.3 gust factor.

The flagpole shall have an Entasis taper and shall be void of vertical mold seams.

The flagpole shall be sanded smooth and coated with a high gloss Aliphatic Polyurea coating system which provides extended UV protection and weatherability.

The flagpole is equipped with a cam cleat, door with security screw, tab, & lock nut at the time of internalizing prior to shipment.

Standard colors include: White, Black, Bronze, Faux-Luminum, & Metallic Bronze

The base requires four anchor bolts with covers and two nuts, two flat washers, and one lock washer per anchor bolt as follows: (sold separately)

- 3/4"x24" anchor bolt

- 2-3/4" exposed thread projection recommended



Aeolus Series - Model #AB 30I	Standard Fittings:		Project:
30' Above Grade Height	6" Gold Anodized Ball	Security Driver	
10.24" Sq. Aluminum Anchor Base	Cast FG Stationary Truck	60' of #10 Polyester Halyard	
Top Diameter - 3"	1 pair of Brass Snaps	Bolt Template	Location:
Butt Diameter - 6.75"	1 pair of Vinyl Covers	Small Retaining Ring	
		Small Counterweight	Date:

PLP Composites

57 Creamery Road - PO Box 429, Fitzwilliam, NH 03447 - Phone: 800-262-6075 - www.plpcomp.com or www.zeusflagpoles.com - info@plpcomp.com