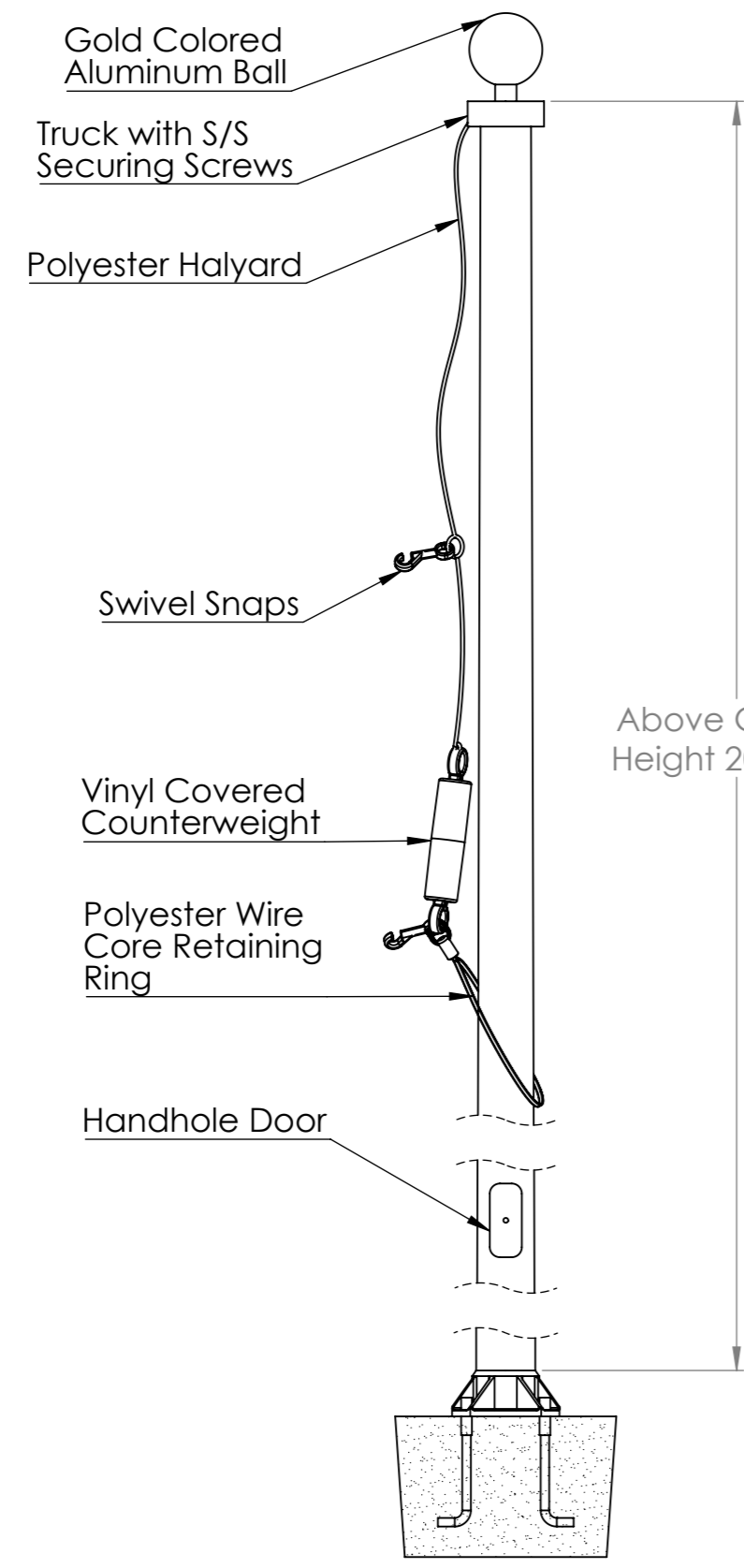
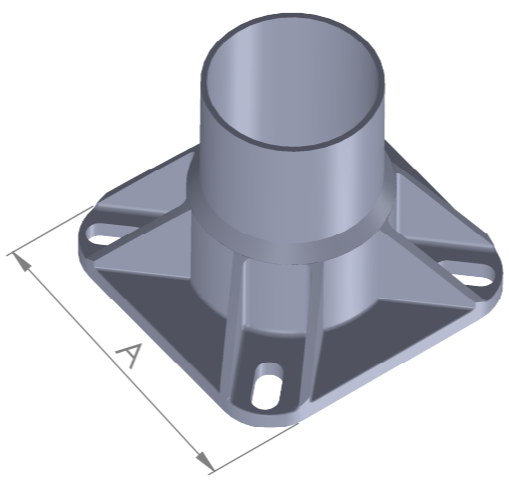


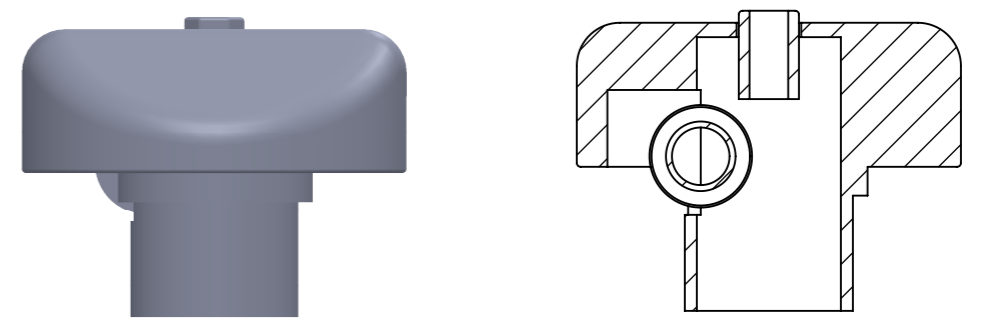
Aeolus Series Anchor Base External AB20I-AB35I



Anchor Base



Fiberglass Stationary
Internal Truck



Specifications and Accessories

| Model | AB20I | AB25I | AB30I | AB35I |
|------------------------------------|---------|------------|------------|------------|
| Above Ground Height | 20' | 25' | 30' | 35' |
| Butt Diameter | 5.75" | 6.5" | 6.5" | 7" |
| Top Diameter | 3" | 3" | 3" | 3" |
| Pole Weight with Base (lbs) | 41 | 61 | 78 | 97 |
| Shipping Weight with Base (lbs) | 94 | 107 | 131 | 172 |
| Cleat | 8.5" NY | 8.5" NY | 8.5" NY | 8.5" NY |
| Ball Diameter | 6" | 6" | 6" | 8" |
| Halyard | #10 | #10 | #10 | #10 |
| Truck | F/G | F/G | F/G | F/G |
| Snaps | Brass | Brass | Brass | Brass |
| Anchor Bolt Length (sold separate) | 24" | 24" | 24" | 24" |
| Bolt Diameter | 3/4" | 3/4" | 3/4" | 3/4" |
| Exposed Thread Projection | 2.75" | 2.75" | 2.75" | 2.75" |
| Bolt Circle | 8"-9" | 9"-11" | 9"-11" | 9"-11" |
| Base Width (A) | 9" sq. | 10.24" sq. | 10.24" sq. | 10.24" sq. |
| Standard Flag Size | 4'X6' | 4'X6' | 5'X8' | 5'X8' |

Specifications

Provide a Fiberglass Reinforced Composite (FRC) Anchor Base flagpole Model # **AB 35I** as manufactured by PLP Composites, Fitzwilliam, NH 03447.

The flagpole shall have a mounting height of 35'.

The butt diameter shall be 7" and the top diameter 3". The pole weight shall be approximately 97 lbs. and a total shipping weight of 172 lbs.

The flagpole shall be manufactured of fiberglass woven roving and polyester resin with 75% of the reinforcing fibers oriented in the axial plane for maximum stiffness and 25% in the radial plane for required hoop strength. Load calculations shall be based on AASHTO and NAAMM standards with the pole designed with a two to one (2:1) safety factor for 125 mph winds, unflagged, with a 1.3 gust factor.

The flagpole shall have an Entasis taper and shall be void of vertical mold seams.

The flagpole shall be sanded smooth and coated with a high gloss Aliphatic Polyurea coating system which provides extended UV protection and weatherability.

The flagpole is equipped with a cam cleat, door with security screw, tab, & lock nut at the time of internalizing prior to shipment.

Standard colors include: White, Black, Bronze, Faux-Luminum, & Metallic Bronze

The base requires four anchor bolts with covers and two nuts, two flat washers, and one lock washer per anchor bolt as follows: (sold separately)

- 3/4"x24" anchor bolt

- 2-3/4" exposed thread projection recommended



| Aeolus Series - Model #AB 35I | Standard Fittings: | Security Driver | Project: |
|---------------------------------|--------------------------|------------------------------|-----------|
| 35' Above Grade Height | 8" Gold Anodized Ball | 70' of #10 Polyester Halyard | |
| 10.24" Sq. Aluminum Anchor Base | Cast FG Stationary Truck | Bolt Template | Location: |
| Top Diameter - 3" | 1 pair of Brass Snaps | Small Retaining Ring | |
| Butt Diameter - 7" | 1 pair of Vinyl Covers | Small Counterweight | Date: |

PLP Composites

57 Creamery Road - PO Box 429, Fitzwilliam, NH 03447 - Phone: 800-262-6075 - www.plpcomp.com or www.zeusflagpoles.com - info@plpcomp.com