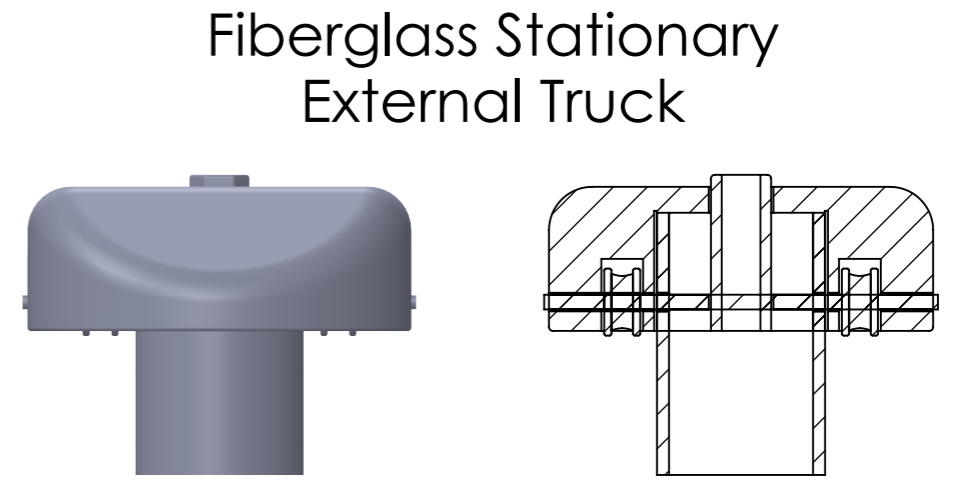
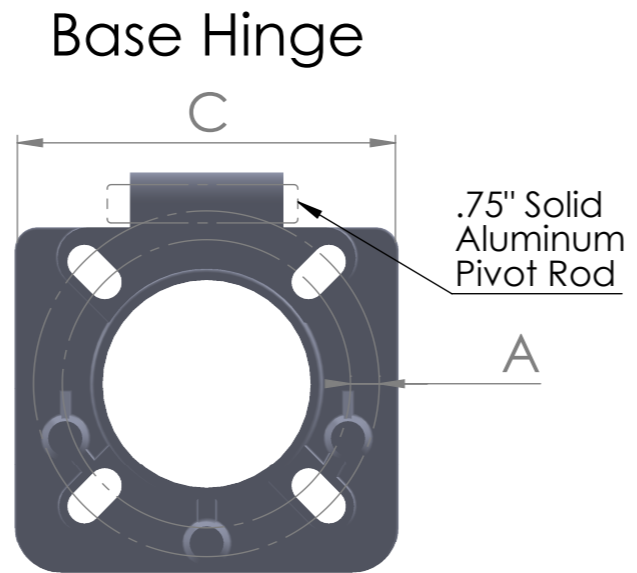
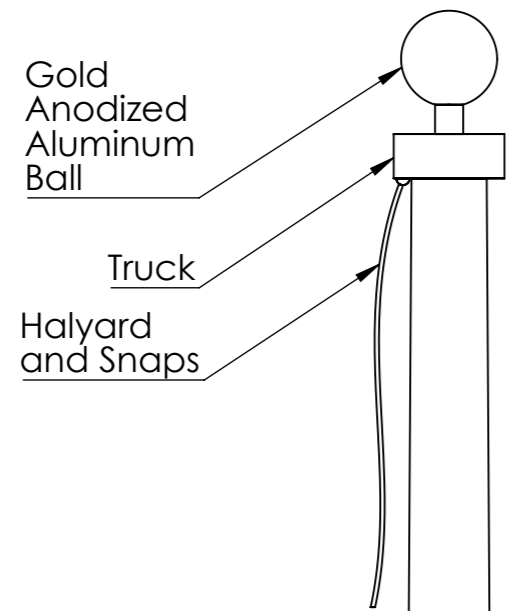
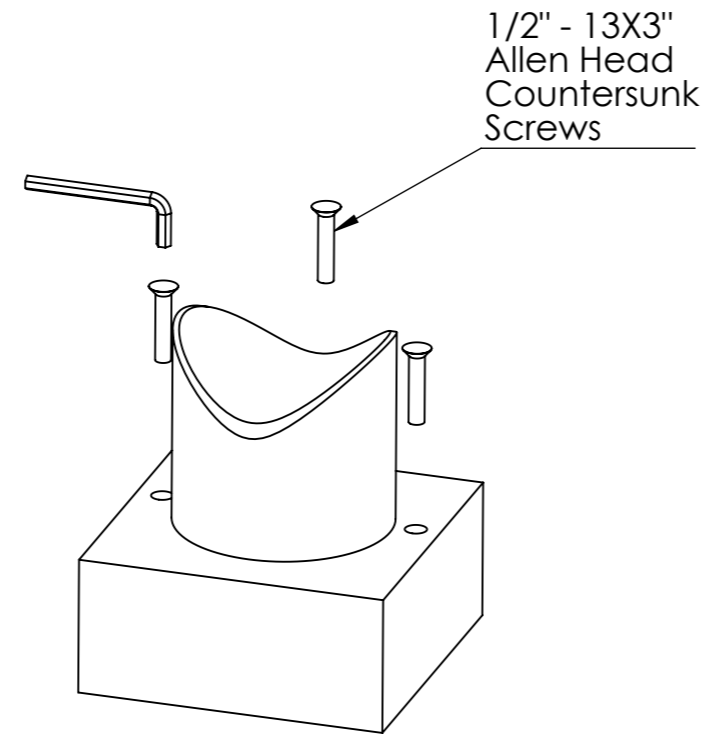
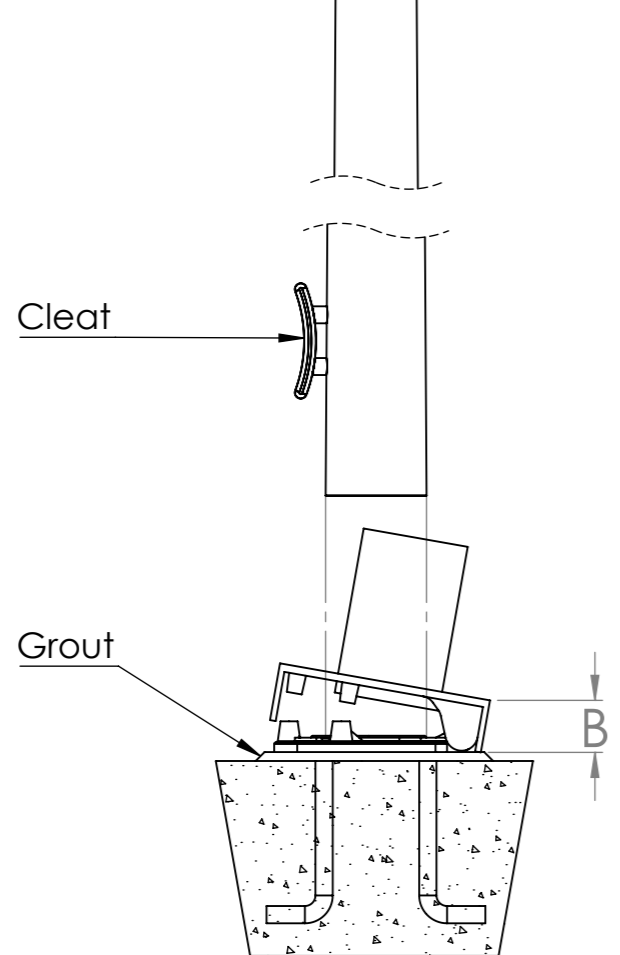


Aeolus Series Hinge Base External HB20X-HB30X



F
E
D
C
B
A

F
E
D
C
B
A



Specifications and Accessories

| Model | HB20X | HB25X | HB30X |
|------------------------------------|------------------|---------|---------|
| Above Ground Height | 20' | 25' | 30' |
| Butt Diameter | 5.75" | 6.5" | 6.5" |
| Top Diameter | 3" | 3" | 3" |
| Pole Weight with Base (lbs) | 52 | 72 | 89 |
| Shipping Weight with Base (lbs) | 105 | 118 | 141 |
| Cleat | 8.5" NY | 8.5" NY | 8.5" NY |
| Ball Diameter | 6" | 6" | 6" |
| Halyard | #10 | #10 | #10 |
| Truck | F/G | F/G | F/G |
| Snaps | Brass | Brass | Brass |
| Anchor Bolt Length (sold separate) | 24" | 24" | 24" |
| Bolt Diameter | 3/4" | 3/4" | 3/4" |
| Exposed Thread Projection | 3" | 3" | 3" |
| Bolt Circle (A) | 7.5"-9" | 8.5"-9" | 8.5"-9" |
| Base Dimensions (B&C) | 3.5" h x 10.5" w | | |
| Standard Flag Size | 4'X6' | 4'X6' | 5'X8' |

8 7 6 5 4 3 2 1

8 7 6 5 4 3 2 1

Specifications

Provide a Fiberglass Reinforced Composite (FRC) Hinge Base flagpole Model # **HB 30X** as manufactured by PLP Composites, Fitzwilliam, NH 03447.

The flagpole shall have a mounting height of 30'.

The butt diameter shall be 6.5" and the top diameter 3". The pole weight shall be approximately 89 lbs. and a total shipping weight of 141 lbs.

The flagpole shall be manufactured of fiberglass woven roving and polyester resin with 75% of the reinforcing fibers oriented in the axial plane for maximum stiffness and 25% in the radial plane for required hoop strength. Load calculations shall be based on AASHTO and NAAMM standards with the pole designed with a two to one (2:1) safety factor for 125 mph winds, unflagged, with a 1.3 gust factor.

The flagpole shall have an Entasis taper and shall be void of vertical mold seams.

The flagpole shall be sanded smooth and coated with a high gloss Aliphatic Polyurea coating system which provides extended UV protection and weatherability.

Standard colors include: White, Black, Bronze, Faux-Luminum, & Metallic Bronze

The base requires four anchor bolts with covers and two nuts, two flat washers, and one lock washer per anchor bolt as follows: (sold separately)

- 3/4"x24" anchor bolt
- 3" exposed thread projection recommended



| Aeolus Series - Model #HB 30X | Standard Fittings: | | Project: |
|-------------------------------|--------------------------|------------------------------|-----------|
| 30' Above Grade Height | 6" Gold Anodized Ball | 60' of #10 Polyester Halyard | |
| 10.5" Sq. Aluminum Hinge Base | Cast FG Stationary Truck | 8.5" Nylon Cleat | Location: |
| Top Diameter - 3" | 1 pair of Brass Snaps | Bolt Template | |
| Butt Diameter - 6.5" | 1 pair of Vinyl Covers | | Date: |

PLP Composites

57 Creamery Road - PO Box 429, Fitzwilliam, NH 03447 - Phone: 800-262-6075 - www.plpcomp.com or www.zeusflagpoles.com - info@plpcomp.com