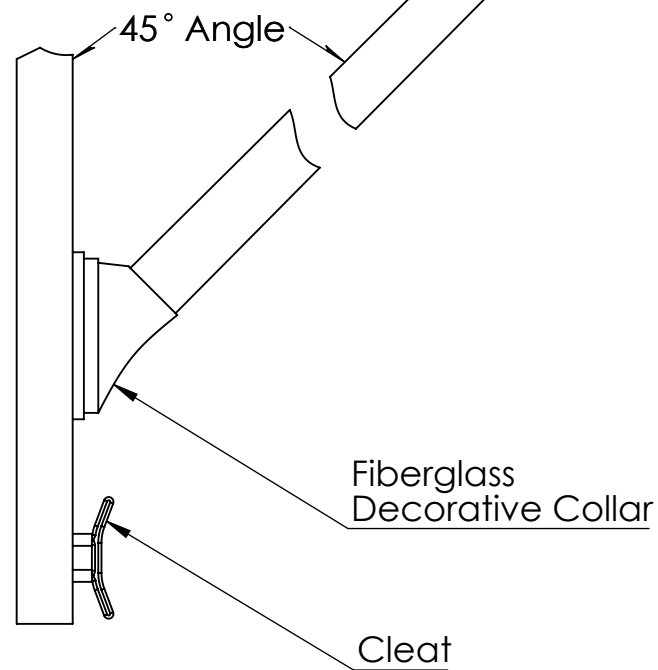


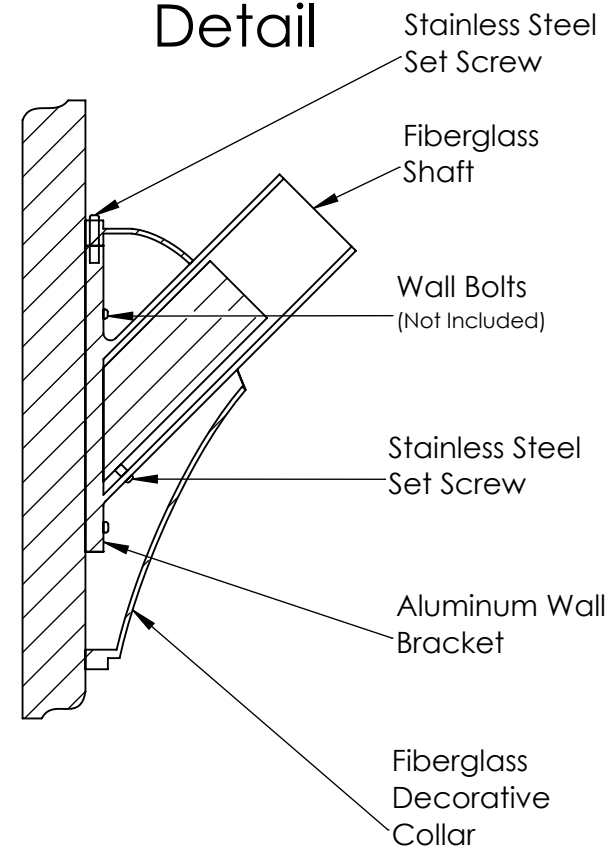
# Aeolus Series Architectural Outrigger OR10-OR14



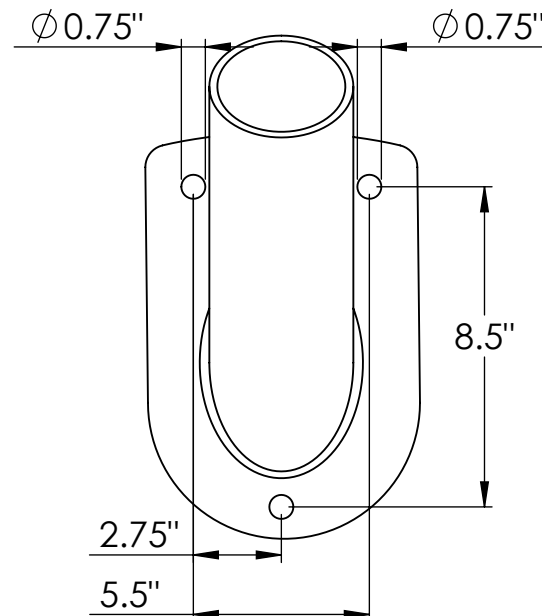
Gold Anodized Aluminum Ball  
Aluminum Outrigger Truck  
Fiberglass Shaft



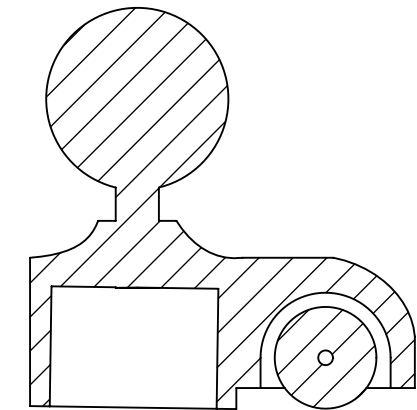
## Wall Mount Detail



## Aluminum Wall Bracket



## Aluminum Outrigger Truck



## Specifications and Accessories

Model	OR10	OR12	OR14
Length	10'	12'	14'
Butt Diameter	5"	5"	5"
Top Diameter	3"	3"	3"
Gold Anodized Ball	6"	6"	6"
Truck	Alum	Alum	Alum
Nylon Cleat	8.5" NY	8.5" NY	8.5" NY
Polyester Halyard	#10	#10	#10
Snap Hooks	Brass	Brass	Brass
Pole Weight (.lbs)	24	28	32
Shipping Weight (.lbs)	59	64	70
Standard Flag Size	4'X6'	4'X6'	5'X8'

## Specifications

Provide a Fiberglass Reinforced Composite (FRC) Architectural Outrigger Flagpole Model **#OR 10** as manufactured by PLP Composites, Fitzwilliam, NH 03447.

The flagpole shall have an overall length of 10'. The butt diameter shall be 5" and the top diameter 3". The pole weight shall be approximately 24 lbs. and a total shipping weight of 59 lbs.

The flagpole shall be manufactured of fiberglass woven roving and polyester resin with 75% of the reinforcing fibers oriented in the axial plane for maximum stiffness and 25% in the radial plane for required hoop strength. Load calculations shall be based on AASHTO and NAAMM standards with the pole designed with a two to one (2:1) safety factor for 125 mph winds, unflagged, with a 1.3 gust factor.

The flagpole shall have an Entasis taper and shall be void of vertical mold seams.

The flagpole shall be sanded smooth and coated with a high gloss Aliphatic Polyurea coating system which provides extended UV protection and weatherability.

**Standard colors include:** White, Black, Bronze, Faux-Luminum, & Metallic Bronze

**Note:** Mounting bolts for wall brackets are not provided

The 45° Architectural Outrigger Flagpole shall be equipped with an aluminum wall bracket and the pole will be assembled onto this according to the manufacturer's instructions using an epoxy paste mixture and set screws provided. The wall bracket shall be covered with a fiberglass decorative collar. Wall bolts are not included.



Aeolus Series - Model #OR 10	Standard Fittings:		Project:
10' Length	6" Gold Anodized Ball	30' of #10 Polyester Halyard	
Top Diameter - 3"	Aluminum Cap Truck	8.5" Nylon Cleat	Location:
Butt Diameter - 5"	1 pair of Brass Snaps	Decorative Collar	
	1 pair of Vinyl Covers		Date:

PLP Composites

57 Creamery Road - PO Box 429, Fitzwilliam, NH 03447 - Phone: 800-262-6075 - [www.plpcomp.com](http://www.plpcomp.com) or [www.zeusflagpoles.com](http://www.zeusflagpoles.com) - [info@plpcomp.com](mailto:info@plpcomp.com)