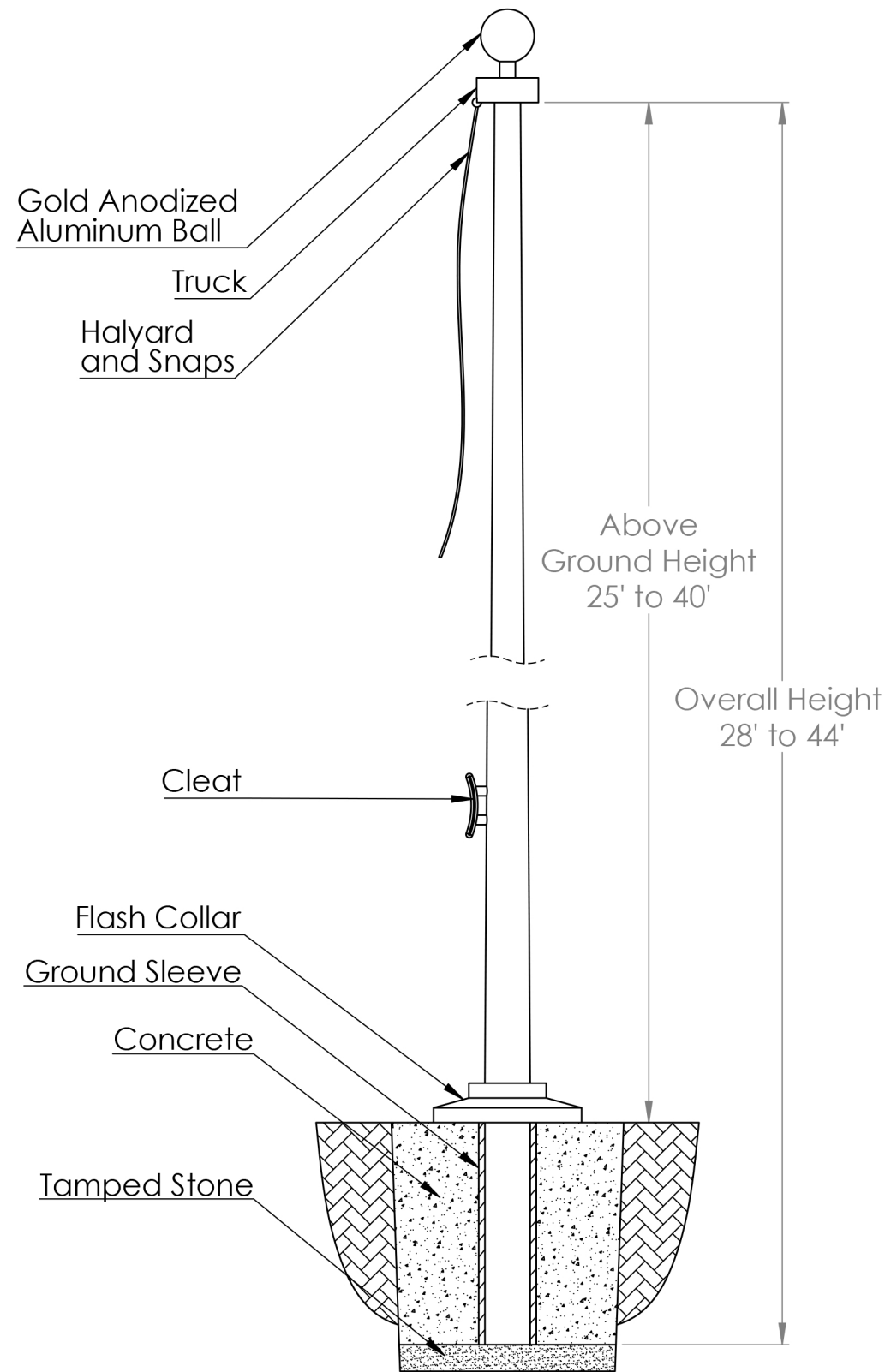
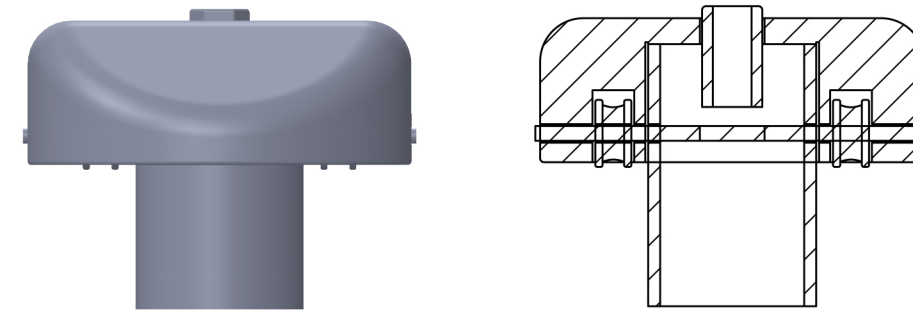


Apollo Series External Ground Set SW25X-SW40X



Fiberglass Stationary External Truck



Specifications and Accessories

Model	SW25X	SW30X	SW35X	SW40X
Above Ground Height	25'	30'	35'	40'
Overall Height	28'	33'	39'	44'
Butt Diameter	6"	6.8"	7.25"	8"
Top Diameter	3"	3"	3"	3"
Pole Weight (lbs)	75	107	167	217
Shipping Weight (lbs)	117	154	224	279
Ground Sleeve I.D.	8"	8"	9"	9"
Ground Sleeve Length	3' x 8"	3' x 8"	4' x 9"	4' x 9"
Cleat	8" AL	8" AL	8" AL	8" AL
Gold Anodized Ball	5"	6"	8"	8"
Polyester Halyard	50' of #10	60' of #10	70' of #10	80' of #10
Flash Collar	16"	16"	16"	16"
Truck	F/G	F/G	F/G	F/G
Snaps (stainless steel)	1 pair	1 pair	1 pair	1 pair
Standard Flag Size	5'X8'	5'X8'	6'X10'	6'X10'
Vinyl Cover	1 pair	1 pair	1 pair	1 pair

Specifications

Provide a Fiberglass Reinforced Composite (FRC) Severe Weather Ground set flagpole Model # **SW 35X** as manufactured by PLP Composites, Fitzwilliam, NH 03447.

The flagpole shall have a mounting height of 35' and 4' below grade for an overall length of 39'.

The butt diameter shall be 7.25" and the top diameter 3". The pole weight shall be approximately 167 lbs. and a total shipping weight of 224 lbs.

The flagpole shall be manufactured of fiberglass woven roving and polyester resin with 75% of the reinforcing fibers oriented in the axial plane for maximum stiffness and 25% in the radial plane for required hoop strength. Load calculations shall be based on AASHTO and NAAMM standards with the pole designed with a two to one (2:1) safety factor for 180 mph winds, unflagged, with a 1.3 gust factor.

The flagpole shall have an Entasis taper and shall be void of vertical mold seams.

The flagpole shall be sanded smooth and coated with a high gloss Aliphatic Polyurea coating system which provides extended UV protection and weatherability.

Standard colors include: White, Black, Bronze, Faux-Luminum, & Metallic Bronze



Apollo Series - Model #SW 35X	Standard Fittings:		Project:
35' Above Grade Height	8" Gold Anodized Ball	70' of #10 Polyester Halyard	
39' Overall Height	Cast FG Stationary Truck	16" Flash Collar	Location:
Top Diameter - 3"	1 pair of S/S Snaps	8" Powder Coated Cleat	
Butt Diameter - 7.25"	1 pair of Vinyl Covers	4'x9" Ground Sleeve	Date:

PLP Composites

57 Creamery Road - PO Box 429, Fitzwilliam, NH 03447 - Phone: 800-262-6075 - www.plpcomp.com or www.zeusflagpoles.com - info@plpcomp.com