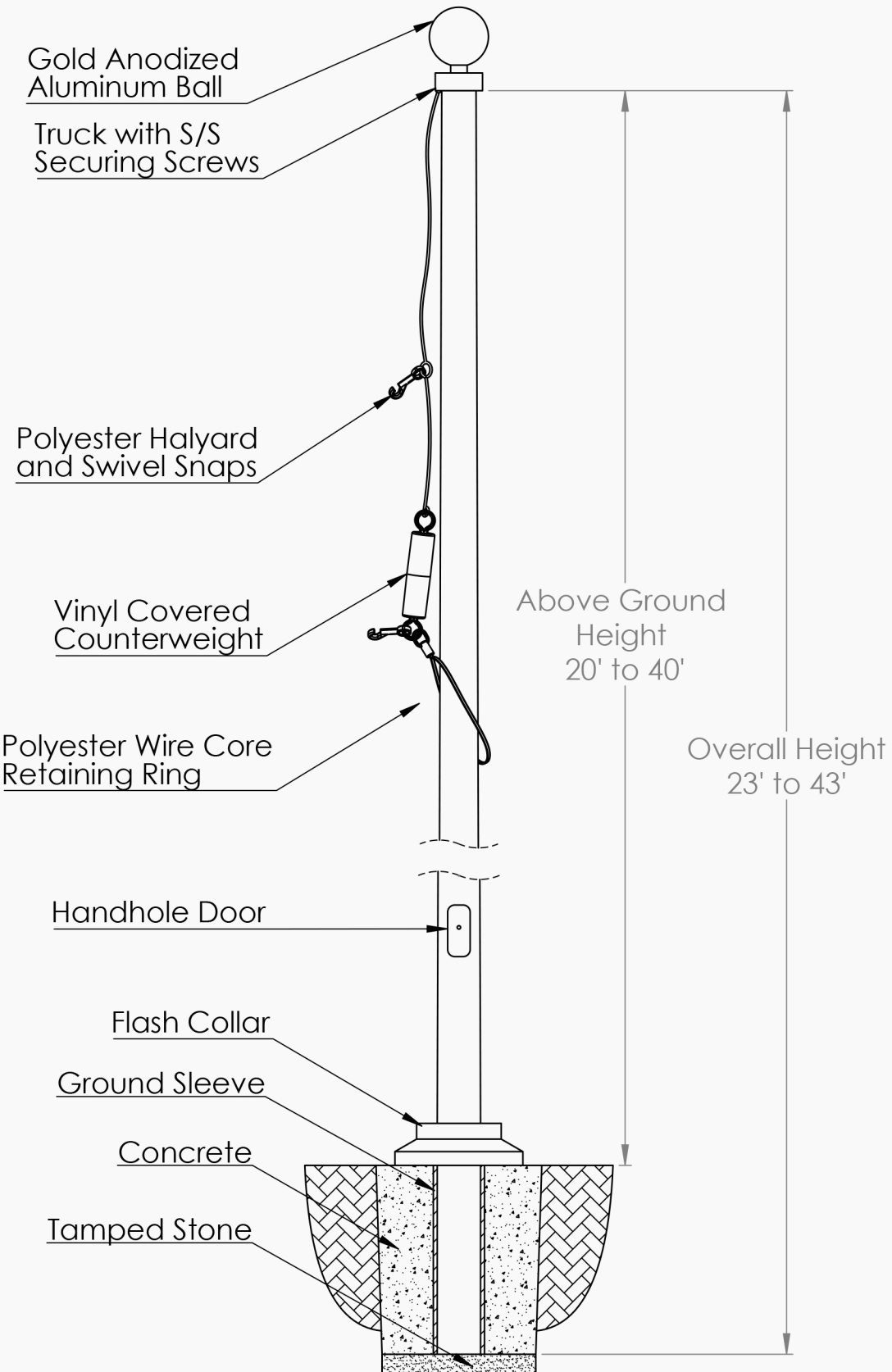
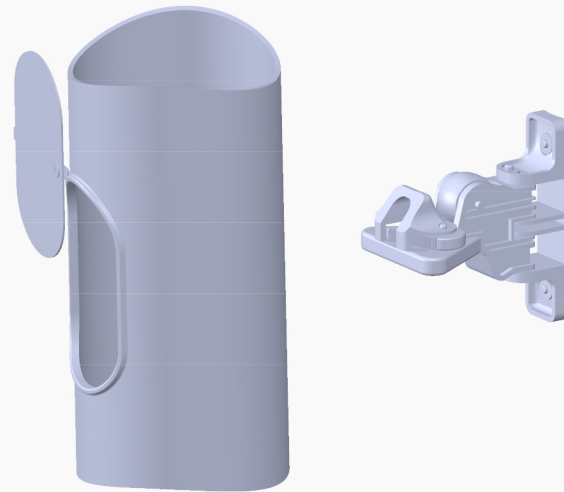


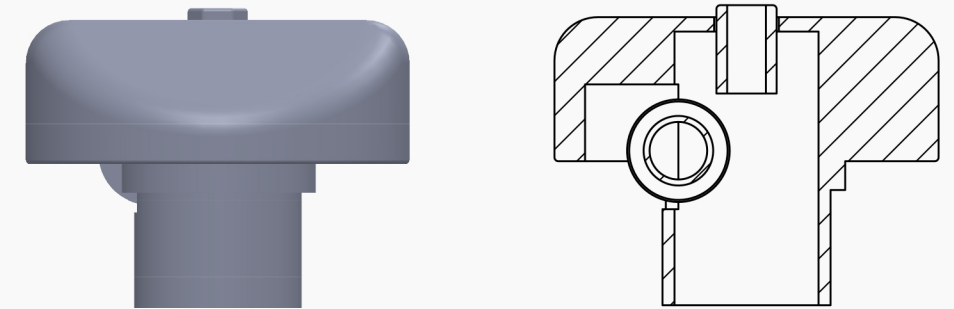
# Apollo Series Internal Ground Set SW25I-SW40I



Internal Cam Cleat  
and Hand Hole Door



Fiberglass Internal  
Stationary Truck



## Specifications and Accessories

Model	SW25I	SW30I	SW35I	SW40I
Above Ground Height	25'	30'	35'	40'
Overall Height	28'	33'	39'	44'
Butt Diameter	6"		7.25"	8"
Top Diameter	3"	3"	3"	3"
Pole Weight (lbs)	75	107	167	217
Shipping Weight (lbs)	117	154	224	279
Ground Sleeve I.D.	8"	8"	9"	9"
Ground Sleeve Length	3' x 8"	3' x 8"	4' x 9"	4' x 9"
Gold Anodized Ball	5"	6"	8"	8"
Polyester Halyard	50' of #10	60' of #10	70' of #10	80' of #10
Flash Collar	16"	16"	16"	16"
Truck	F/G	F/G	F/G	F/G
Snaps (Stainless Steel)	1 pair	1 pair	1 pair	1 pair
Standard Flag Size	5'X8'	5'X8'	6'X10'	6'X10'
Retaining Ring	Small	Small	Small	Small
Counterweight	Small	Small	Small	Small
Vinyl Cover	1 pair	1 pair	1 pair	1 pair

## Specifications

Provide a Fiberglass Reinforced Composite (FRC) Severe Weather Ground set flagpole Model # **SW 40I** as manufactured by PLP Composites, Fitzwilliam, NH 03447.

The flagpole shall have a mounting height of 40' and 4' below grade for an overall length of 44'.

The butt diameter shall be 8" and the top diameter 3". The pole weight shall be approximately 217 lbs. and a total shipping weight of 279 lbs.

The flagpole shall be manufactured of fiberglass woven roving and polyester resin with 75% of the reinforcing fibers oriented in the axial plane for maximum stiffness and 25% in the radial plane for required hoop strength. Load calculations shall be based on AASHTO and NAAMM standards with the pole designed with a two to one (2:1) safety factor for 180 mph winds, unflagged, with a 1.3 gust factor.

The flagpole shall have an Entasis taper and shall be void of vertical mold seams.

The flagpole shall be sanded smooth and coated with a high gloss Aliphatic Polyurea coating system which provides extended UV protection and weatherability.

**Standard colors include:** White, Black, Bronze, Faux-Luminum, and Metallic Bronze

*\*\*Cam Cleat, halyard, & door ship pre-installed on the pole*



<b>Apollo Series - Model #SW 40I</b>	<b>Standard Fittings:</b>		<b>Project:</b>
40' Above Grade Height	8" Gold Anodized Ball	80' of #10 Polyester Halyard	
44' Overall Height	Cast FG Stationary Truck	16" Flash Collar	<b>Location:</b>
Top Diameter - 3"	1 pair of S/S Snaps	Small Retaining Ring	
Butt Diameter - 8"	1 pair of Vinyl Covers	Small Counterweight	<b>Date:</b>
Marine Grade Swivel Cam Cleat	Security Driver	4' x 9" Ground Sleeve	

PLP Composites

57 Creamery Road - PO Box 429, Fitzwilliam, NH 03447 - Phone: 800-262-6075 - [www.plpcomp.com](http://www.plpcomp.com) or [www.zeusflagpoles.com](http://www.zeusflagpoles.com) - [info@plpcomp.com](mailto:info@plpcomp.com)