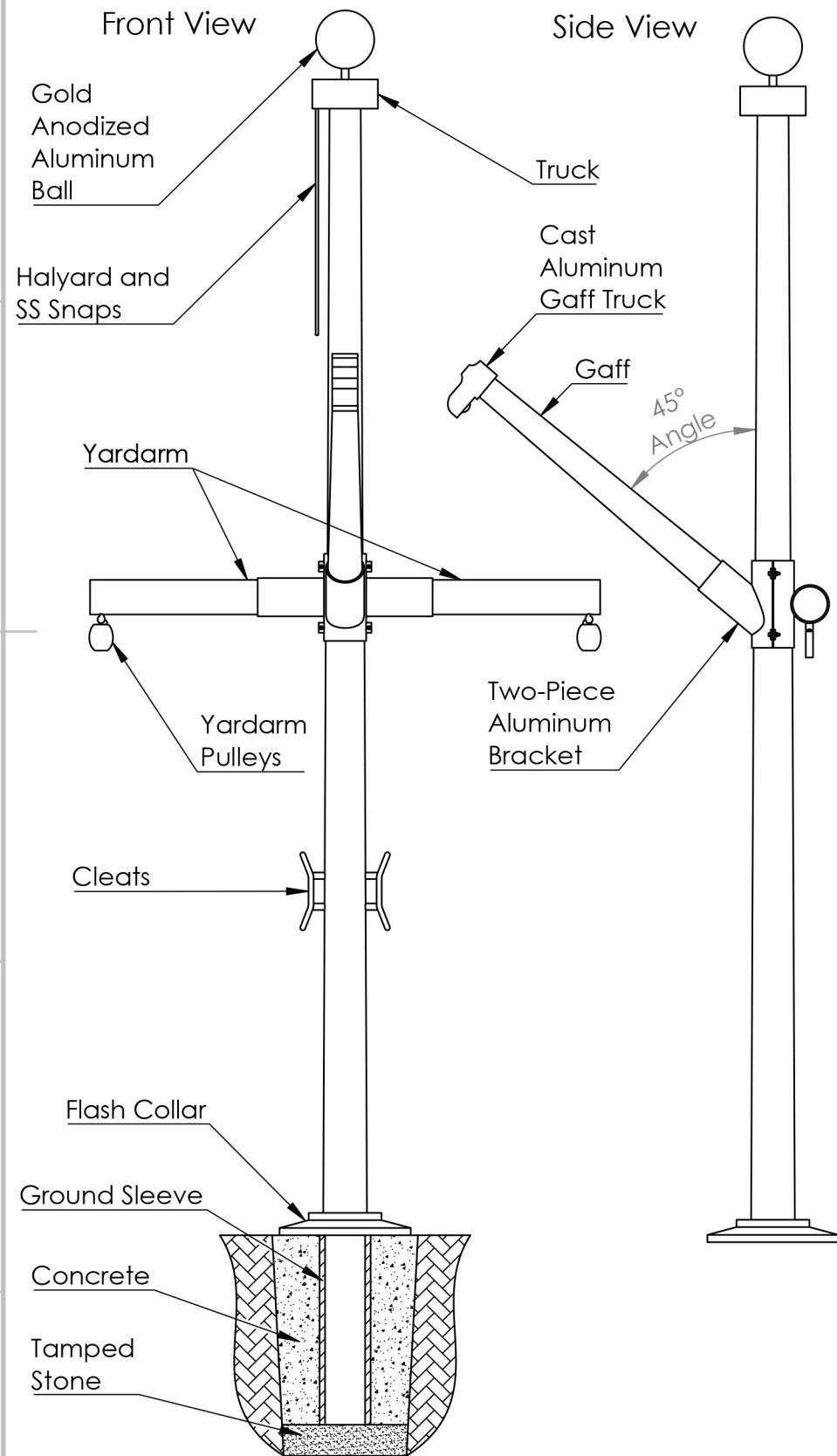
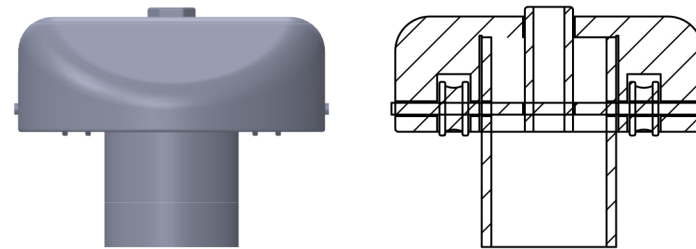


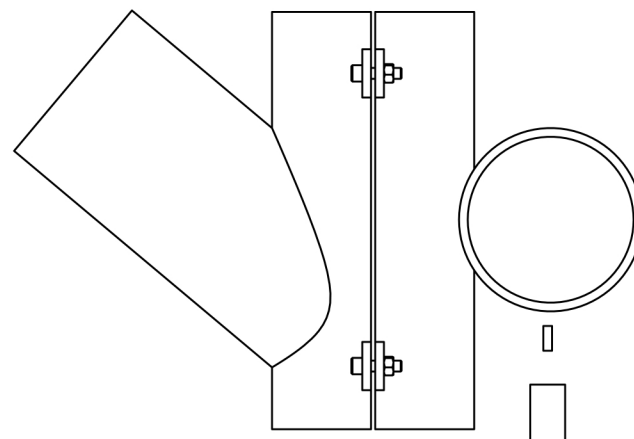
Poseidon Series Single Masted Flagpole with Yardarm/Gaff NSM25-NSM40



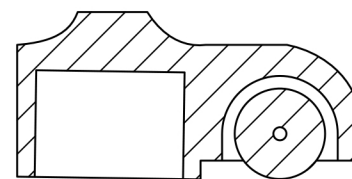
Fiberglass Stationary External Truck



Aluminum Powder Coated Bracket



Aluminum Gaff Truck



Specifications and Accessories

Nautical Single Masted Flagpole with yardarm/Gaff 25' - 40'				
Model	NSM25-YAG	NSM30-YAG	NSM35-YAG	NSM40-YAG
Above Ground Height	25'	30'	35'	40'
Burial Depth	3'	3'	4'	4'
Butt Diameter	6"	6.5"	7.25"	8"
Top Diameter	3"	3"	3"	3"
Standard Flags	3'x5'	4'x6'	4'x6'	5'x8'
Yardarm				
Length	6.5'	8'	9.5'	11'
End Diameter	2.5"	3"	3"	3"
Center Diameter	3"	4"	4"	4"
Standard Flags	3'x5'	4'x6'	4'x6'	5'x8'
Gaff				
Length	4.5'	5.5'	6.5'	7.5'
Tip Diameter	2.5"	3"	3"	3"
Butt Diameter	3"	4"	4"	4"
Standard Flags	3'x5'	4'x6'	4'x6'	5'x8'
Ground Sleeve	3'x8"	3'x8"	4'x9"	4'x9"
Gold Anodized Ball	6"	6"	8"	8"
Truck	F/G	F/G	F/G	F/G
Cleat (powder coated)	4 of 8"	4 of 8"	4 of 8"	4 of 8"
Polyester Halyard	4 of #10	4 of #10	4 of #10	4 of #10
Snaps (stainless steel)	4 pair	4 pair	4 pair	4 pair
Flash Collar	16"	16"	16"	16"
Pole Weight	75	107	167	217
Pole Weight (w/YA)	87	121	182	237
Shipping Weight	142	184	262	321
Vinyl Covers	4 pair	4 pair	4 pair	4 pair

Specifications

Provide a Fiberglass Reinforced Composite (FRC) Nautical flagpole Model # **NSM40-YAG** as manufactured by PLP Composites, Fitzwilliam, NH 03447.

The flagpole shall have a mounting height of 40' and 4' below grade for an overall length of 44'. The butt diameter shall be 8" and the top diameter 3".

The yardarm shall have an overall length of 11'. The diameter at the center of the yardarm shall be 4" and will taper to each end to a diameter of 3". The gaff shall have an overall length of 7.5'. The butt diameter shall be 4" and the tip diameter 3". The yardarm and gaff shall be secured to the pole shaft with an aluminum powder coated bracket.

The flagpole shall be manufactured of fiberglass woven roving and polyester resin with 75% of the reinforcing fibers oriented in the axial plane for maximum stiffness and 25% in the radial plane for required hoop strength. Load calculations shall be based on AASHTO and NAAMM standards with the pole designed with a two to one (2:1) safety factor for 150 mph winds, unflagged, with a 1.3 gust factor.

The flagpole, yardarm, and gaff shall have an Entasis taper and shall be void of vertical mold seams.

The flagpole, yardarm, and gaff shall be sanded smooth and coated with a high gloss Aliphatic Polyurea coating system which provides extended UV protection and weatherability.

The flagpole, yardarm, and gaff weight shall be 237 lbs. with a shipping weight of 321 lbs.

Standard colors include: White, Black, Bronze, Faux-Luminum, and Metallic Bronze



Poseidon Series - Model NSM40-YAG	Standard Fittings:		Project:
40' Above Grade Height	8" Gold Anodized Ball	4 of #10 Halyards	
44' Overall Height	Cast FG Stationary Truck	4 of 8" Powder Coated Cleat	Location:
Top Diameter - 3"	Cast Alum. Gaff Truck	16" Flash Collar	
Butt Diameter - 8"	4 pair of S/S Snaps	4'x9" Ground Sleeve	Date:
	4 pair of Vinyl Covers		
Yardarm & Gaff Brackets & Sticks (pre-assembled with S/S Eye-Bolts & Pulleys)			

PLP Composites

57 Creamery Road - PO Box 429, Fitzwilliam, NH 03447 - Phone: 800-262-6075 - www.plpcomp.com or www.zeusflagpoles.com - info@plpcomp.com