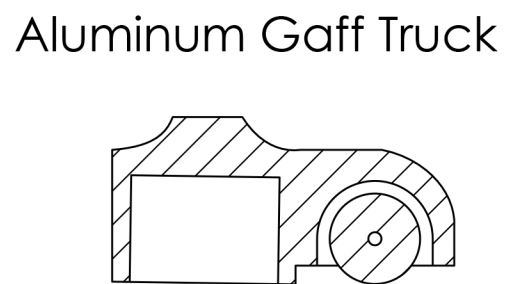
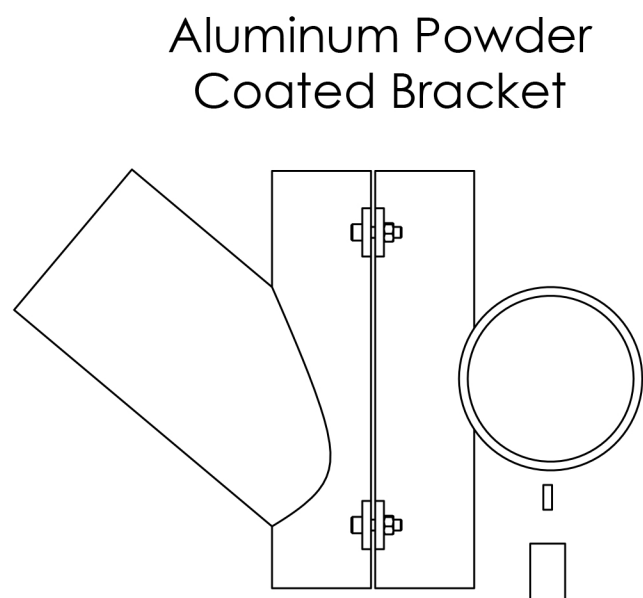
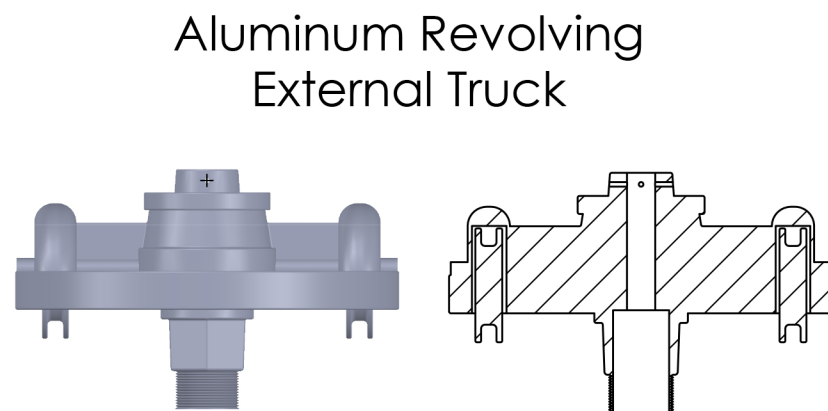
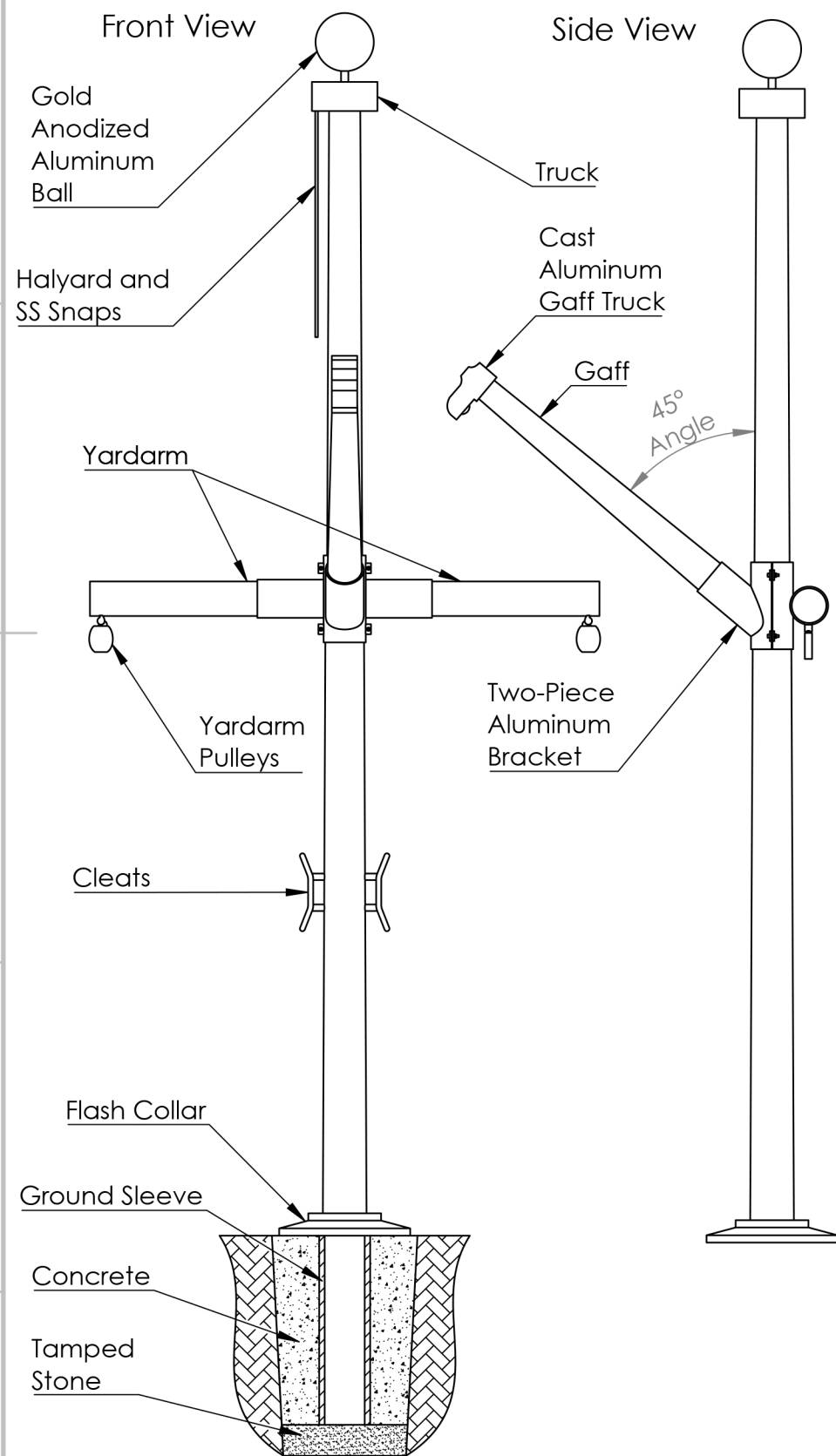


# Poseidon Series Single Masted Flagpole with Yardarm/Gaff NSM50-NSM60



## Specifications and Accessories

Nautical Single Masted Flagpole with yardarm/Gaff 50' - 60'		
Model	NSM50-YAG	NSM60-YAG
Above Ground Height	50'	60'
Burial Depth	5'	6'
Butt Diameter	10.5"	11"
Top Diameter	4.5"	4.5"
Standard Flags	6'x10'	8'x12'
Yardarm		
Length	13.5'	16'
End Diameter	3"	3"
Center Diameter	4.5"	4.5"
Standard Flags	6'x10'	8'x12'
Gaff		
Length	9'	11'
Tip Diameter	3"	3"
Butt Diameter	4.5"	4.5"
Standard Flags	6'x10'	8'x12'
Ground Sleeve	5'x14'	6'x14'
Gold Anodized Ball	10"	10"
Truck	F/G	F/G
Cleat (powder coated)	4 of 8"	4 of 8"
Polyester Halyard	4 of #12	4 of #12
Snaps (stainless steel)	4 pair	4 pair
Flash Collar	23"	23"
Pole Weight	397	629
Pole Weight (w/YA)	467	711
Shipping Weight	528	782
Vinyl Cover	4 pair	4 pair

## Specifications

Provide a Fiberglass Reinforced Composite (FRC) Nautical flagpole Model # **NSM60-YAG** as manufactured by PLP Composites, Fitzwilliam, NH 03447.

The flagpole shall have a mounting height of 60' and 6' below grade for an overall length of 66'. The butt diameter shall be 11" and the top diameter 4.5".

The yardarm shall have an overall length of 16'. The diameter at the center of the yardarm shall be 4.5" and will taper to each end to a diameter of 3". The gaff shall have an overall length of 11'. The butt diameter shall be 4.5" and the tip diameter 3". The yardarm and gaff shall be secured to the pole shaft with an aluminum powder coated bracket.

The flagpole shall be manufactured of fiberglass woven roving and polyester resin with 75% of the reinforcing fibers oriented in the axial plane for maximum stiffness and 25% in the radial plane for required hoop strength. Load calculations shall be based on AASHTO and NAAMM standards with the pole designed with a two to one (2:1) safety factor for 150 mph winds, unflagged, with a 1.3 gust factor.

The flagpole, yardarm, and gaff shall have an Entasis taper and shall be void of vertical mold seams.

The flagpole, yardarm, and gaff shall be sanded smooth and coated with a high gloss Aliphatic Polyurea coating system which provides extended UV protection and weatherability.

The flagpole, yardarm, and gaff weight shall be 629 lbs. with a shipping weight of 782 lbs.

**Standard colors include:** White, Black, Bronze, Faux-Luminum, and Metallic Bronze



Poseidon Series - Model NSM60-YAG	Standard Fittings:		Project:
60' Above Grade Height	10" Gold Anodized Ball	4 of #12 Halyards	
66' Overall Height	Cast FG Stationary Truck	4 of 8" Powder Coated Cleat	Location:
Top Diameter - 4.5"	Alum. Gaff Truck	23" Flash Collar	
Butt Diameter - 11"	4 pair of S/S Snaps	6'x14" Ground Sleeve	Date:
	4 pair of Vinyl Covers	S/S Eye Bolts & S/S Pulleys	
Yardarm & Gaff Brackets & Sticks (pre-assembled with S/S Eye-Bolts & Pulleys)			

**PLP Composites**

57 Creamery Road - PO Box 429, Fitzwilliam, NH 03447 - Phone: 800-262-6075 - [www.plpcomp.com](http://www.plpcomp.com) or [www.zeusflagpoles.com](http://www.zeusflagpoles.com) - [info@plpcomp.com](mailto:info@plpcomp.com)