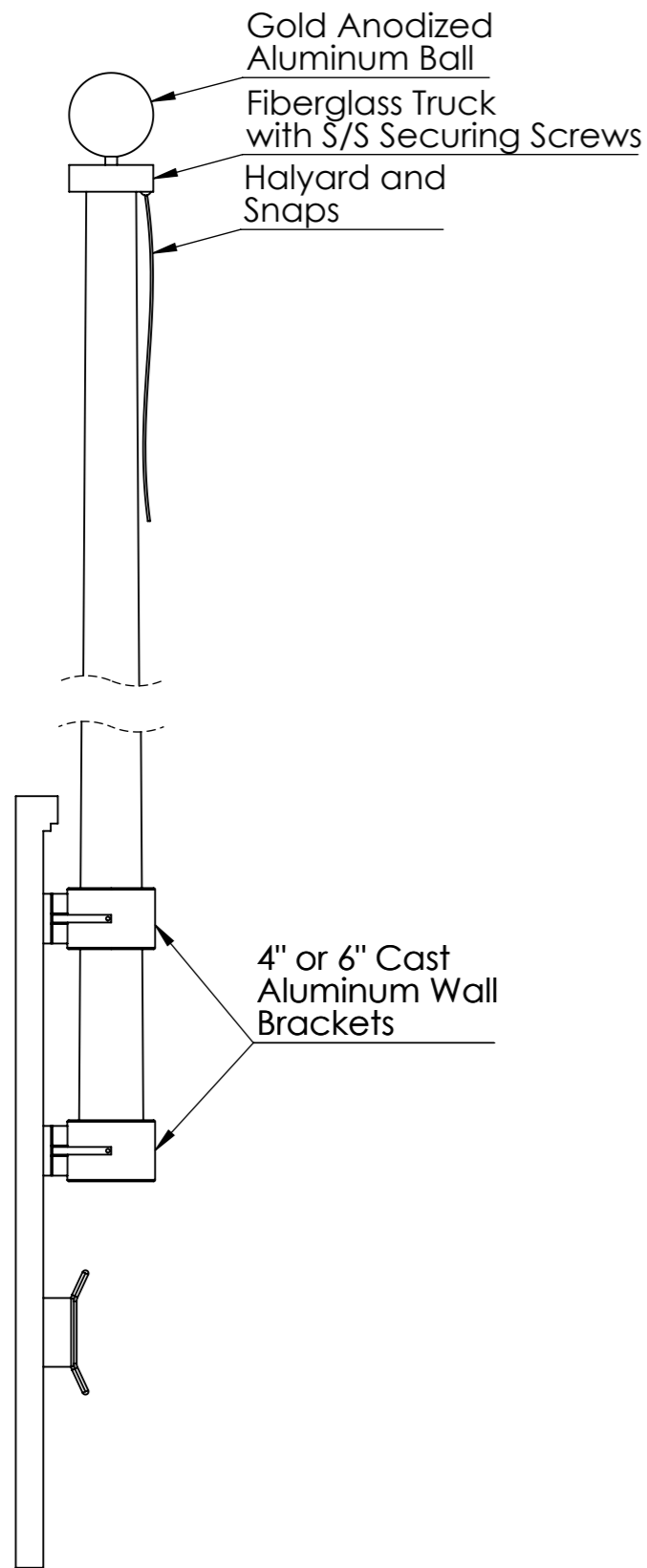
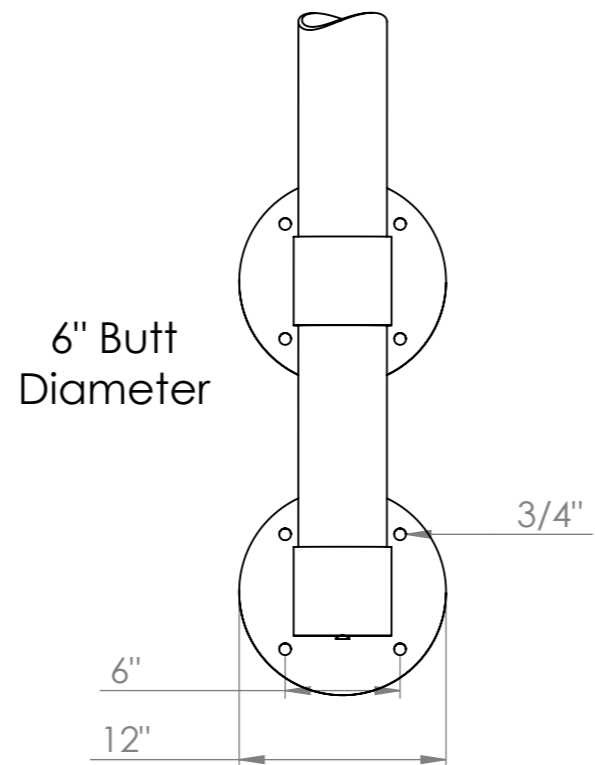
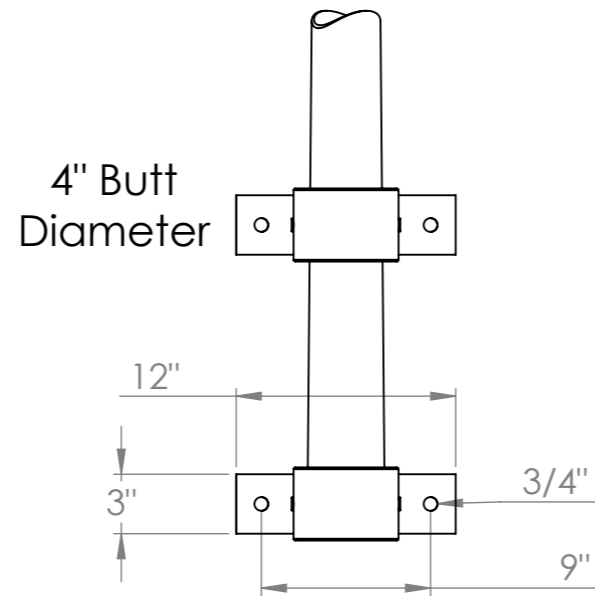


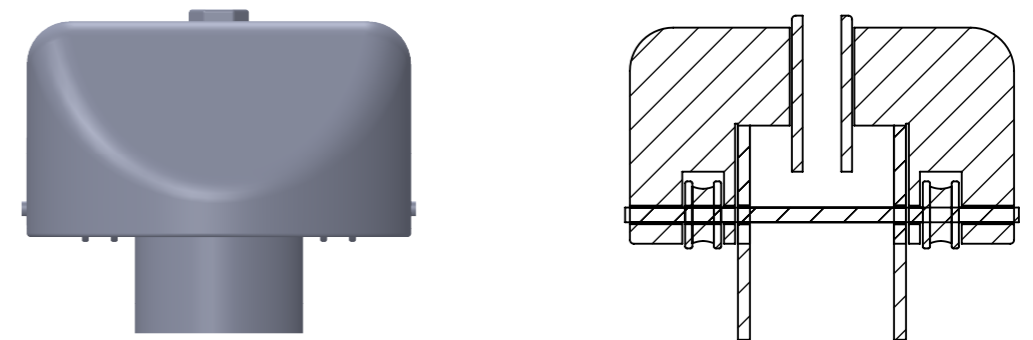
Aeolus Series Vertical Wall Mount V15-V30



Cast Aluminum Wall Bracket



Fiberglass Stationary External Truck



Specifications and Accessories

Model	V 15	V 20	V 25	V 30
Overall Height	15'	20'	25'	30'
Butt Diameter	4"	4"	6"	6"
Top Diameter	2.75"	2.75"	3"	3"
Gold Anodized Ball	6"	6"	6"	6"
Truck	F/G	F/G	F/G	F/G
Nylon Cleat	8.5"	8.5"	8.5"	8.5"
Polyester Halyard	#10	#10	#10	#10
Snap Hooks	Brass	Brass	Brass	Brass
Pole Weight (lbs.)	27	36	44	61
Shipping Weight (lbs.)	63	75	106	129
Bracket	4" Alum	4" Alum	6" Alum	6" Alum
Standard Flag Size	4'X6'	4'X6'	5'X8'	5'X8'

Specifications

Provide a Fiberglass Reinforced Composite (FRC) Vertical Wall Mount Flagpole Model **#V20** as manufactured by PLP Composites, Fitzwilliam, NH 03447.

The flagpole shall have an overall length of 20'. The butt diameter shall be 4" and the top diameter 2.75". The pole weight shall be approximately 36 lbs. and a total shipping weight of 75 lbs.

The flagpole shall be manufactured of fiberglass woven roving and polyester resin with 75% of the reinforcing fibers oriented in the axial plane for maximum stiffness and 25% in the radial plane for required hoop strength. Load calculations shall be based on AASHTO and NAAMM standards with the pole designed with a two to one (2:1) safety factor for 125 mph winds, unflagged, with a 1.3 gust factor.

The flagpole shall have an Entasis taper and shall be void of vertical mold seams.

The flagpole shall be sanded smooth and coated with a high gloss Aliphatic Polyurea coating system which provides extended UV protection and weatherability.

Standard colors include: White, Black, Bronze, Faux-Luminum, & Metallic Bronze

Note: Mounting bolts for wall brackets are not provided



Aeolus Series - Model #VWM20	Standard Fittings:		Project:
20' Overall Height	6" Gold Anodized Ball	50' of #10 Polyester Halyard	
4" set of Aluminum Brackets	Cast FG Stationary Truck	8.5" Nylon Cleat	Location:
Top Diameter - 2.75"	1 pair of Brass Snaps		
Butt Diameter - 4"	1 pair of Vinyl Covers		Date:

PLP Composites

57 Creamery Road - PO Box 429, Fitzwilliam, NH 03447 - Phone: 800-262-6075 - www.plpcomp.com or www.zeusflagpoles.com - info@plpcomp.com